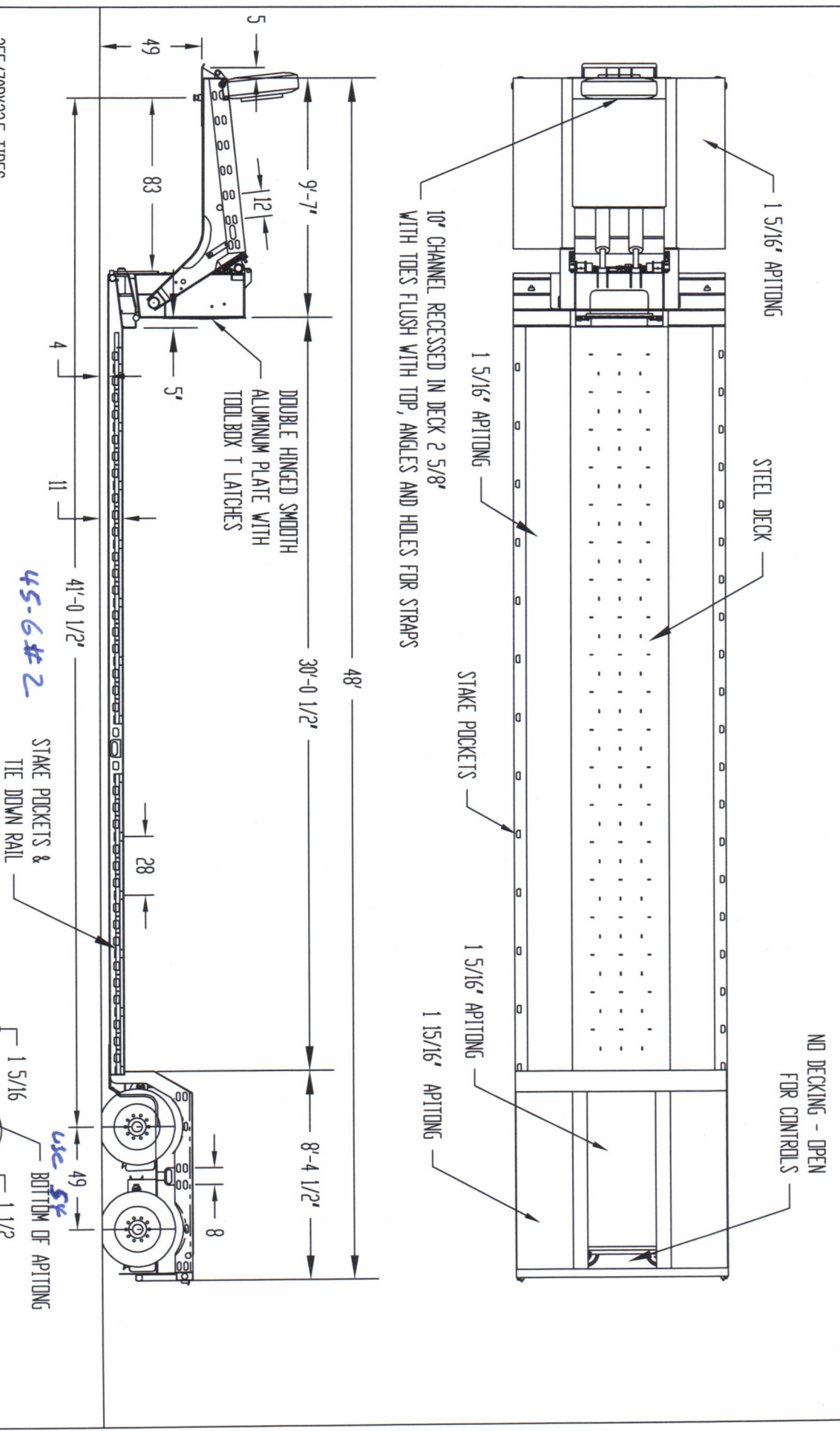


255/70R22.5 TIRES  
 ALUMINUM WHEELS  
 AIR RIDE SUSPENSIONS  
 LED LIGHTS  
 SEALED WIRING SYSTEM  
 MANUAL OVERRIDE CONTROLS FOR AIR RIDE  
 ADJUSTABLE HEIGHT CONTROL LINKAGE  
 ABS BRAKES

MODEL: ART-FLA-25LD  
 50,000 LBS IN 25'  
 3" CAMBER IN DECK EMPTY  
 FLAT FULLY LOADED  
 19,000 LBS

NELSON MANUFACTURING COMPANY

DRAWN	DATE	NO. REQ.	SCALE	PART NUMBER
CS	8/14/20			191212 SH2



45-6#2

